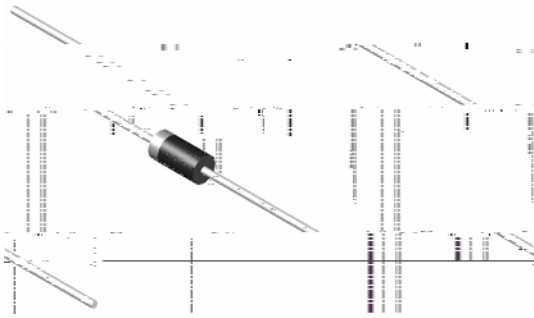




; YbYfU`D i fdcgY' FYWhjZjYf'

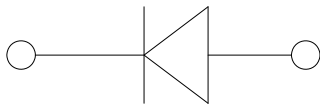


: YUhi fYg'

- High efficiency
- High current capability
- High reliability
- High surge current capability
- Low power loss
- Glass passivated chip junction
- Solder dip 275 °C max. 7 s, per JESD 22-B106

HmdjWU` 5dd`jWUhjcbg'

For use in general purpose rectification of power supplies, inverters, converters, and freewheeling diodes for consumer, and telecommunication.



AYW\UbjWU` 8UhU'

- DO-204AL (DO-41)
- Molding compound meets UL 94 V-0 flammability rating, RoHS-compliant
- Tin plated leads, solderable per J-STD-002 and JESD22-B102
- Color band denotes cathode end

AUI]a i a'FUh]b[g (Ta=25 Unless otherwise specified

D5F5A9H9F'	GMA 6C@'	IB-H'	9A)%''	9A)%*'	9A)%, '
Device marking code			EM513	EM516	EM518
Maximum Repetitive Peak Reverse Voltage	VRRM	V	1600	1800	2000
Maximum RMS Voltage	VRMS	V	1120	1260	1400
Maximum DC blocking Voltage	VDC	V	1600	1800	2000
Average Forward Current @60Hz sine wave, Resistance load, Tc	IF(AV)	A	1.0		
Forward Surge Current (Non-repetitive)		p < u	r3		
Typical junction capacitance @Measured at 1MHz and Applied Reverse Voltage of 4.0 V.D.C	Cj	pF	6	7	
Storage Temperature	Tstg		-55 ~ +150		
Junction Temperature	Tj		-55 ~ +150		

9`YWhfjWU` 7 \UfUWhYf]ghjWg Ta=25 Unless otherwise specified

D5F5A9H9F'	GMA 6C@'	IB-H'	H9GH'7CB8-H-CBG	9A)%''	9A)%*'	9A)%, '
Maximum instantaneous forward voltage drop per diode	VF	V	IFM=1.0A	1.2		
Maximum DC reverse current at rated DC blocking voltage per diode	IR	µA	Tj=25	5		
			Tj=125	100		

(0 7+58 (0

v7KHUPDO &KDUDFWHUL&QDQFVV RWKHU&LVH VSHFLILHG

3\$5\$0(7(5	6<0%2/	81,7	(0	(0	(0
7\SLFDO 7KHUPDO	5 - s	- :			
	5H5LVW	DQFH			
	5 - &	- :			

v2UGHULQJ ,QIRUPD&LHQ

35()(5(' 3 1	3\$&.\$*( &2'('	81,7 :(*+7	0,1,080 3\$&.\$*( SFV	,11(5 %2; 48\$17,7< S	287(5 &\$572 48\$17,7< S	'(/,9(5< 02'('
(0 a (0	'	\$SSUR[LPDWH	\$SSUR[LPDWH			H
(0 a (0	&	\$SSUR[LPDWH	\$SSUR[LPDWH			N

v &KDUDFWHUL&SLVDFOV





·9A)%'·H<F I'9A)% , ·

---

8]gW'U]a Yf·

The information presented in this document is for reference only. Yangzhou Yangjie Electronic Technology Co., Ltd. reserves the y